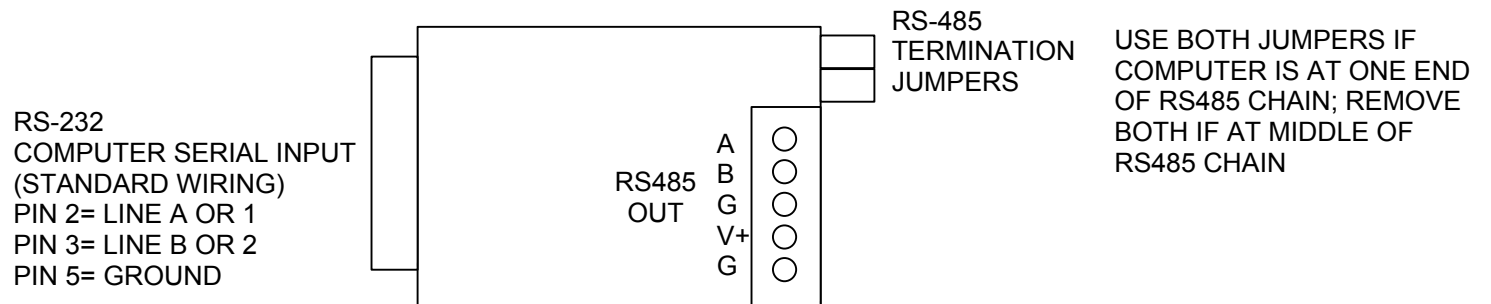


# EAGLE™ PT-RSA

# RS-232 TO 485 CONVERTER



USE A,B, AND G FOR RS 485 IN/OUT

V+ AND G INPUT ARE TO BE USED FOR POWERING MORE THAN 6 DEVICES ON 485 CHAIN; THIS MAY BE POWERED WITH A SMALL 12 VDC WALL TRANSFORMER (INCLUDED). IN SOME CASES WHEN USING A LAPTOP COMPUTER OR WITH THE PT-C / PT-TSC CONTROLLER, THIS CONNECTION MUST BE POWERED.