

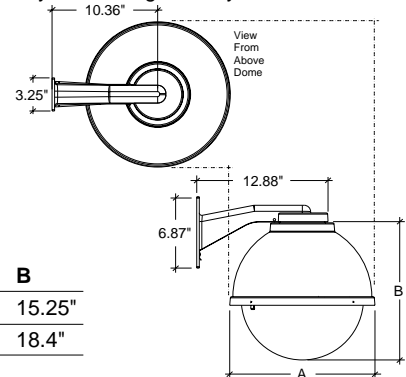
SuperDome™ Housing SDW12/16



VIDEOLARM specializes in housings for fixed multi-camera applications. These configurations offer an inexpensive alternative to pan/tilts.

The SuperDome™ offers:

- Space for up to 3 fixed cameras
SDW12 MCL - 8" 1 camera/ 7" 2 cameras
SDW16 MCL - 12" 1 camera/ 8" 2 cameras/
7" 3 cameras
- Easy installation
- Adjustability for viewing in many directions



Model	A	B
SDW12	12.0"	15.25"
SDW16	16.0"	18.4"

DESCRIPTION

The SuperDome™ is one of Videolarm's most popular general purpose dome camera housings. This low-cost unit is available with either a 12" or 16" dome. It comes with a factory installed wall mount (to help eliminate water intrusion), and features a 1/4", UV rated, ABS plastic upper dome and a 1/8" cell-cast acrylic lower dome. The 12" model allows two fixed cameras, or can be fitted with a scanner or pan/tilt/zoom. Up to three fixed cameras can be mounted in the 16" unit.

FEATURES

- Houses single or multiple fixed cameras
- Optional heater/blower, and surge protection
- Security fasteners standard equipment
- Available with scanner
- Available with a choice of fixed speed or high performance variable speed pan/tilt drives
- Available with clear or tinted dome
- Inner liner available as option

ARCHITECTURAL/ENGINEERING SPECIFICATIONS

Each unit in the SuperDome™ general purpose, outdoor housing series shall be equipped with a pre-attached, universal wall mount, and shall be available with either a 12" or 16" clear or tinted (1 F-stop light reduction) lower dome made from 1/8" cell-cast acrylic. The upper dome shall be 1/4" ABS plastic. Optional items shall include: 24 VAC, 2.08 Amp heater and surge protector; 24 VAC, .16 Amp blower and surge protector, or heater/blower combination; 355° integral pre-wired 12 degree per second or variable speed pan/tilt; presets; continuous 360° rotation pan/tilt; and CoaxLynx™ receiver/driver and its options.

MODELS

- SDW12/16C** - Outdoor housing with fixed camera bracket, clear lower dome and universal wall mount.
- SDW12CK** - Outdoor housing with light-duty scanner, clear lower dome, universal wall mount, 24 VAC heater/blower and surge protector. *(This model is only available in the 12" dome.)*
- SDW12/16CS/12** - Outdoor housing with 355° integral, pre-wired, high speed, 12° per second pan/tilt; clear lower dome; universal

MODELS continued

wall mount; 24 VAC heater/blower and surge protector.

SDW12/16CZXL - Outdoor housing with clear lower dome, liner, variable speed continuous 360° rotation pan/tilt, and RS485 Wire-Lynx™ receiver/driver and presets.

NOTE: Replace "W" with "P" for a pendant mount
Replace "C" with "T" in model number for tinted dome (1 F-stop light reduction).

NOTE: If the application calls for more than one camera in the unit, an additional FM1 bracket will need to be purchased for each additional camera.

ELECTRICAL SPECIFICATIONS

Power Source - 24 VAC

Power Consumption - 52vA (camera not included)

Pan/tilt Power Consumption - 16 vA (max) - .625 Amps P/T

Maximum load - 5 lbs balanced

Weight - 3.25 lbs (1.47 kg)

WITH PAN/TILT RECEIVER

(VLPT355/360 fixed speed versions)

Power Source - 24 VAC

Power Consumption:

w/o heater - 30 Watts (max) - 1.25 Amps

w/heater/blower - 82 Watts (max) - 3.4 Amps

Inputs

Video - 1 Vpp/75 ohm composite video

Control - Multiplexed on video signal

(Continued)

(Continued)



Outputs

- Camera Power - Supplied by receiver/driver (9 watts max)
- Pan/tilt - 24 VAC, 15 watts
- Autopan - User selectable autopan
- Lens Function - +/- 6 VDC or +/- 12 VDC, 150 mA max. (user selectable)

WITH PAN/TILT RECEIVER

(VLPT400 variable speed versions)

Inputs

- Power - 24 VAC, 30 vA
- Alarm Contact - (4) momentary contacts 24 VAC, NO/NC (selectable)
- Video - 1Vpp/75 ohm composite video*

Control Signal

- VLPT400 - 4 wire RS422 or 2 wire RS485
- VLPT400U - Multiplexed on video signals

Outputs

- Camera Power - 24 VAC, 9 vA, (also selectable) 12 VDC
- Lens Power - 5-10 VDC
- Aux - Latching/non-latching
- Alarm Output - Contact closure
- RS232 Control - Optional for camera control only

MECHANICAL SPECIFICATIONS

- Max. Pan Speed** - 125°/sec
- Max. Tilt Speed** - 60°/sec
- Min. Pan Speed** - .5°/sec
- Min. Tilt Speed** - .5°/sec
- Tilt** - Worm gear drive
- Pan** - Spur gear drive
- Max Camera and Lens Weight** - 3 lbs
- Max Camera Width** - 3 5/16"

Wire feed-through via gold-on-gold slip ring

***NOTE:** Coaxial cable should always be 95% copper core/copper shield. Coax wire should be used with 3 piece solder or crimp-on BNC connectors only.

OPTIONS/ACCESSORIES

- PA2** - Roof top wall bracket
- SCRW2000** - Roof top bracket
- CA2** - Corner mount adapter
- ACA2** - Aluminum corner mount adapter
- SRM1500** - Side wall roof bracket
- PES01** - Adapter bracket for Pelco PS7 Scanner (SDW12 only) and Pelco 270 and 280 Pan/Tilts (SDW16 only).
- P1500** - 15' pole
- PM3** - Existing pole bracket
- APM3** - Aluminum existing pole mount bracket
- WM20G** - Aluminum gooseneck wall mount
- WM30G** - Aluminum parapet mount (for pendant mount)
- PRM30G** - Aluminum extended parapet mount (for pendant mount)
- VLC2/VLC3/VLC36** - Hardwire controls (no receiver needed)
- VLC200T** - CoaxLynx™ desktop controller
- FM1** - Fixed camera bracket

Model	Unit Weight	Shipping Weight	Shipping Box Dim.
SDW12	15 lbs	30 Grd/60 Air	23 x 23 x 22
SDW16	15 lbs	30 Grd/60 Air	23 x 23 x 22

* Units with pan/tilts or scanners add 5 lbs
* Shipping weights depend on box dimensions.

Maximum Camera Length

Model	1 (w/o liner)	2	3
SDW12	8" (20.3 cm)	8.5 (21.5 cm)	7" (17.8 cm)
SDW16	12" (30.5 cm)	12.5 (31.7 cm)	8" (21.5 cm) 7" (17.8 cm)

Spec#	Revision Date	Catalog Section	VidFax#
6045	0800	1	S45

Due to our continued efforts to advance technology, product specifications are subject to change without notice.

24-hour technical assistance
1-800-554-1124
2525 Park Central Blvd.
Decatur, GA 30035

Phone: (770) 987-7550
1-800-554-1124
U.S. & Canada only

Fax: (770) 987-9705
1-800-826-0366
VidFax: 1-800-547-5044

Email: info@videolarm.com
www.videolarm.com