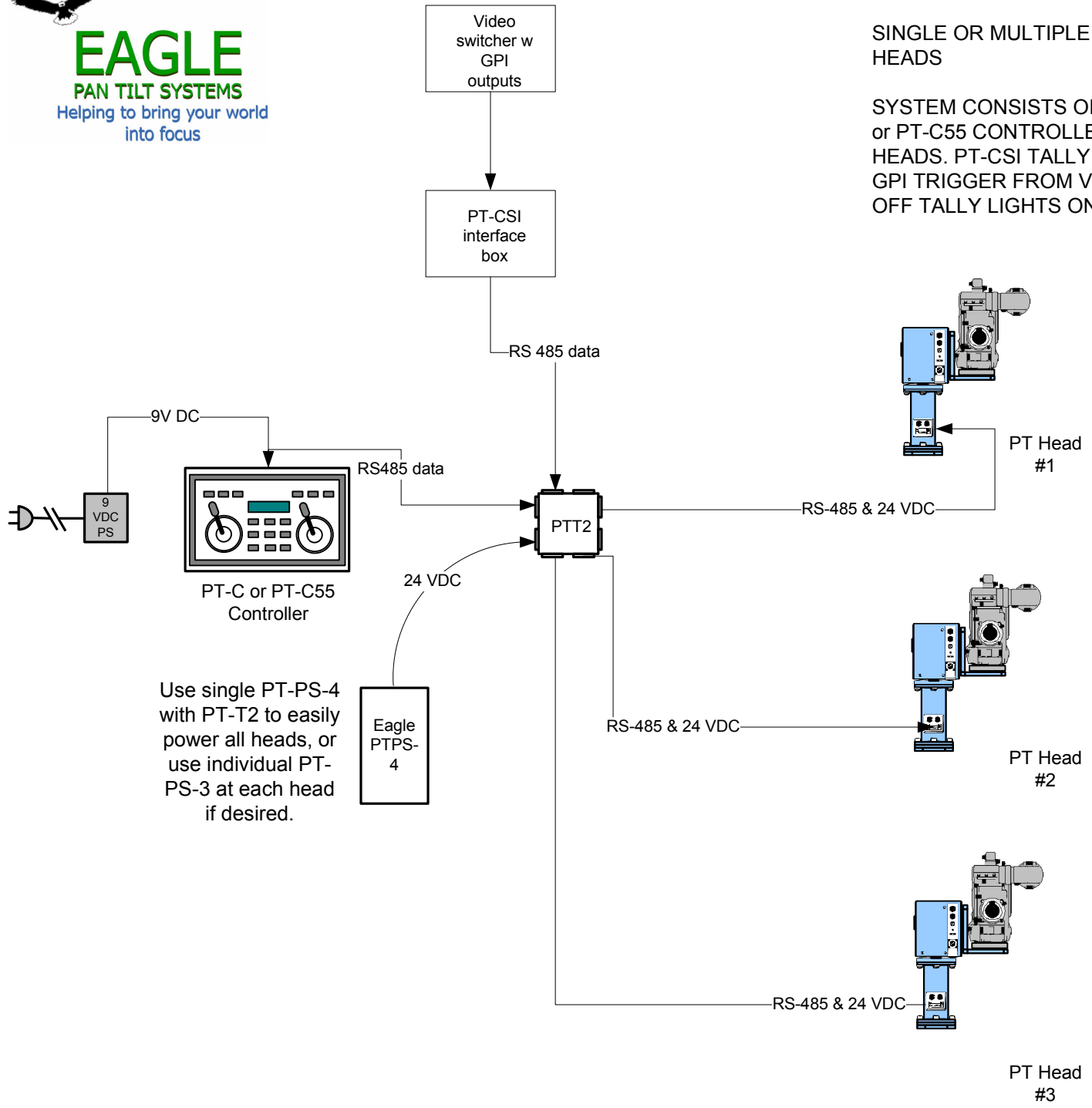




EAGLE

PAN TILT SYSTEMS

Helping to bring your world
into focus



SINGLE OR MULTIPLE CONTROLLER WITH MULTI HEADS

SYSTEM CONSISTS OF SINGLE (OR MULTIPLE) PT-C or PT-C55 CONTROLLER WITH TWO OR MORE PT HEADS. PT-CSI TALLY INTERFACE ALLOWS GPI TRIGGER FROM VIDEO SWITCHER TO TURN ON/OFF TALLY LIGHTS ON PT HEADS.