



## EAGLE® PT-C55 Controller

Eagle® system compatibility

On board RISC microprocessor controlled

Control of up to eight pan tilt heads, with recall of twenty presets per head.

Access on-screen camera control menus for most Hitachi cameras

Completely self-contained, no additional interface modules needed

DB-9 pin connector on rear allows for easy connection of RS-485 control lines

Convenient desktop form factor

Proportional digital joystick for control of pan tilt direction and focus functions

Proportional Rocker control for zoom

Use of replaceable EPROM for firmware allows easy future software upgrades

All needed connectors are included

Includes 9VDC transformer power supply



The EAGLE® PT-C55 pan-tilt controller is a low cost, easy to use unit. It is designed for usage with any Eagle™ pan-tilt head.

It can control up to eight pan tilt heads, and recall up to 20 presets per head.

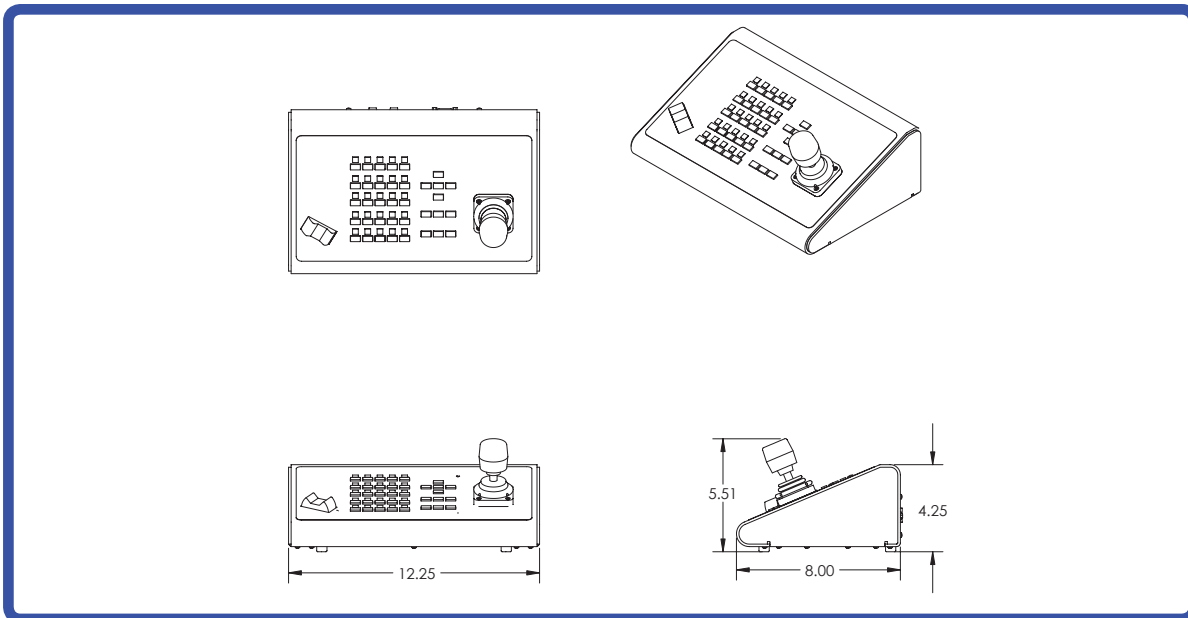
It has basic camera controller functionality built in to access the remote menu features of most of the Hitachi cameras. It also can directly control red and blue gain, black level, master black, and iris levels via six buttons on the front panel.

Using the menu features, detailed remote setup of camera functions may be carried out

with the on-screen display of the camera, if the camera is so equipped.

The PT-C55 comes in a standard desktop mount configuration, with an angled control panel.

A single joystick with logarithmic output allows smooth, predictable control of the pan-tilt direction and focus position. A proportional rocker toggle allows smooth variable speed zoom control. The zoom and focus controls can be swapped through software by the user as desired, the rotary joystick knob turning into zoom control and rocker turning into focus control.



## SPECIFICATIONS

Weight: 2.5 pounds (1.2 kg)

Max. number of heads controlled: 8

Max. number of preset positions: 20 per head

Requires 9VDC power from included wall transformer supply

Will control either direct drive or servo drive lenses

## OPTIONAL ACCESSORIES

The PT-C-55 is meant to be a mid cost controller to minimize system costs. As such, it does not have all of the same functionality as the EAGLE™ PT-C/PT-CC controllers.

It will not control EAGLE™ system accessories such as the PT-SB shot box, the PT-MFA multi function box, or the PT-AAM modem system. If your system requires this functionality, please choose our other control option, the PT-C/PT-CC combination.

It may be used however, with the PT-MP-1 multiplexer unit in combination with the other EAGLE™ controller models. It cannot access some of the lockout features of the PT-MP-1. Please call for clarification as needed.



Distributed by Hitachi Kokusai America Ltd.  
150 Crossways Park Dr. Woodbury NY 11797  
Call (516) 921-7200 for a dealer near you

Eagle™ products are designed and manufactured in the USA  
by Display Devices Inc., Golden CO 80403

Specifications and design subject to change without notice

02/14R3

[www.eaglepantilt.com](http://www.eaglepantilt.com)